



# Seria FIT

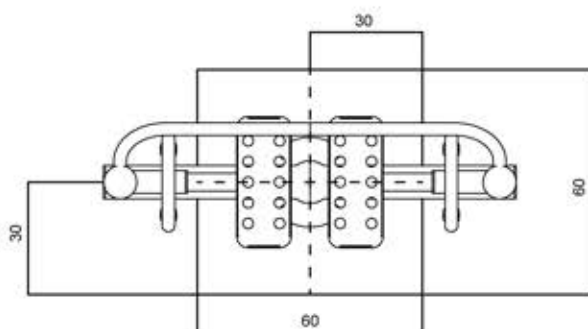
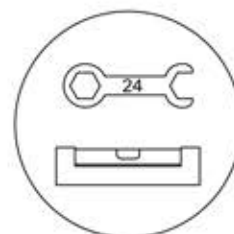
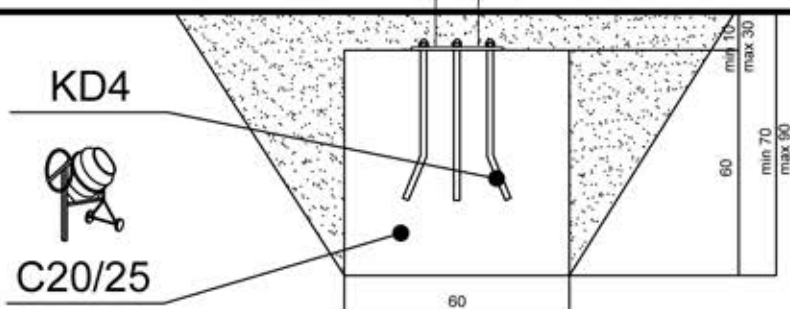
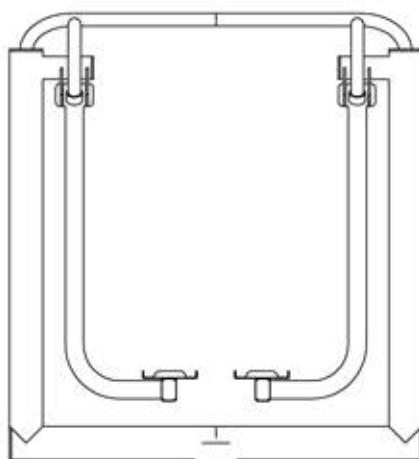
Plan fundamentowania

Footing plan

Ilość betonu:

Amount of concrete:

0,22 m<sup>3</sup>



## Dotyczy urządzeń:

Applies to devices:

TEL012-2	TEL009-2	TEL014	TEL015-1	TEL010-4
TEL021-1	TEL009-1	TEL123-1	TEL017-3	TEL018-1
TEL040	TEL041	TEL025-4	TEL008-2	TEL014-4
TEL011-3	TEL010-1	TEL011-1	TEL027-1	TEL004-2
TEL026-1	TEL026-2	KN001	TEL010-2	

